



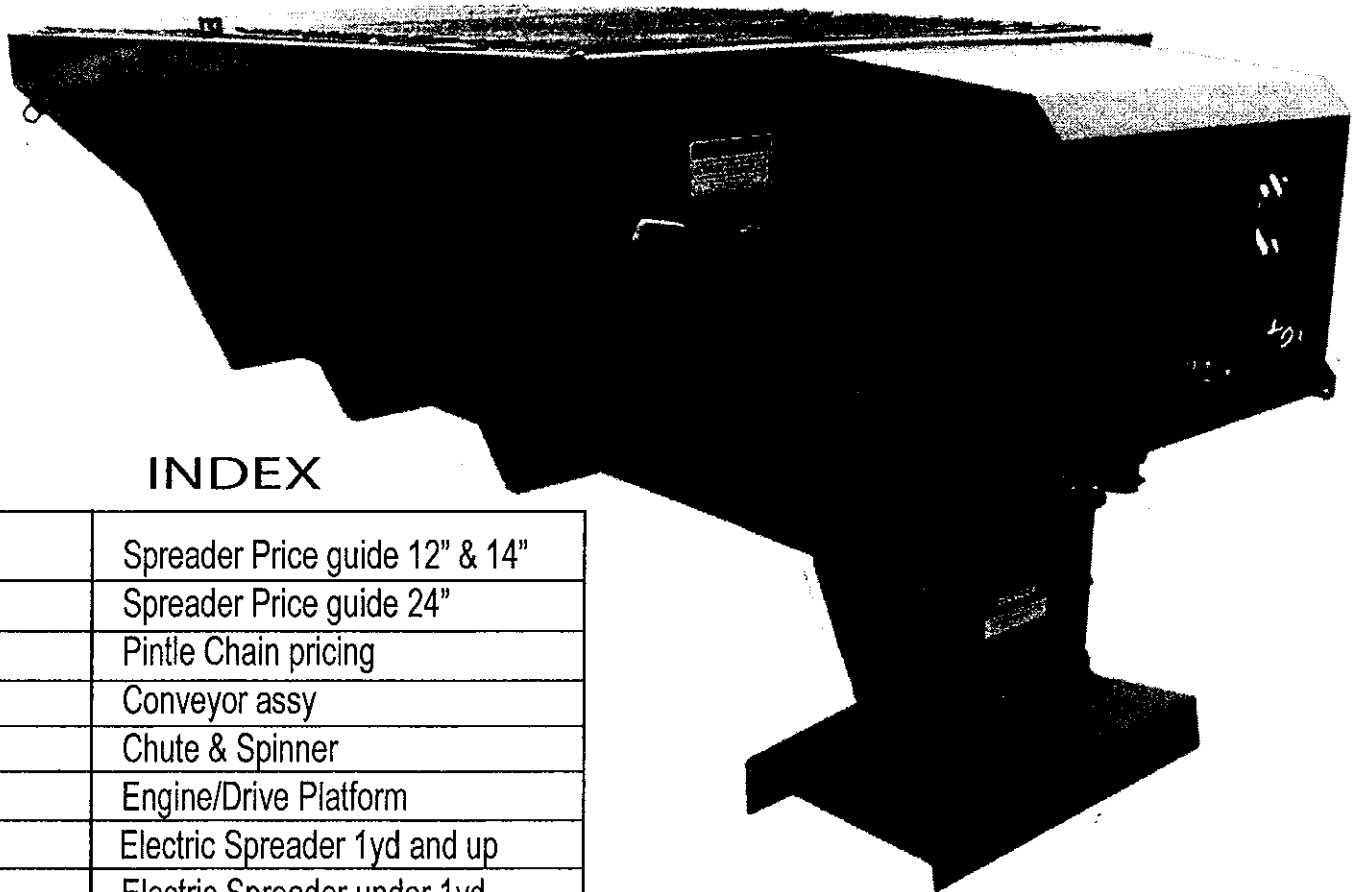
August 2009

mfd by
COASTAL METAL FAB

www.downeastermfg.com

SALT SPREADER

ILLUSTRATED PARTS BREAKDOWN



INDEX

1	Spreader Price guide 12" & 14"
2	Spreader Price guide 24"
3	Pintle Chain pricing
5	Conveyor assy
7	Chute & Spinner
9	Engine/Drive Platform
11	Electric Spreader 1yd and up
13	Electric Spreader under 1yd
15	Self Contained Hydraulic
17	Feed Gate
19	Tailgate Spreader IP-140
21	24" Sander/Conveyor/Chute
23	24" Sander parts
24	24" Sander parts (contd)
25	Hopper Parts
26	Electrical Parts & Wiring
27	Accessories
28	Electric Spreader Wiring Diagram
29	Roller Chain Reference chart
30	Notes

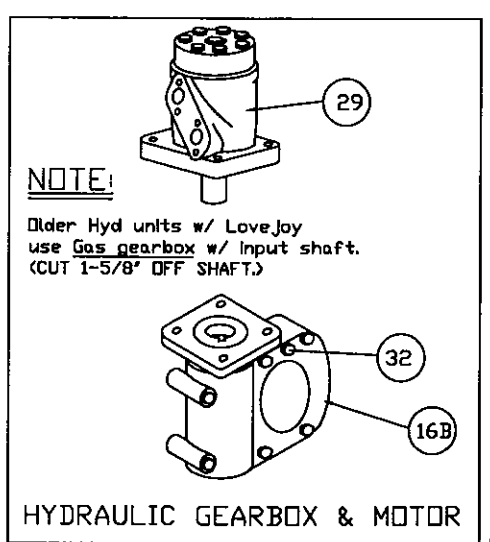
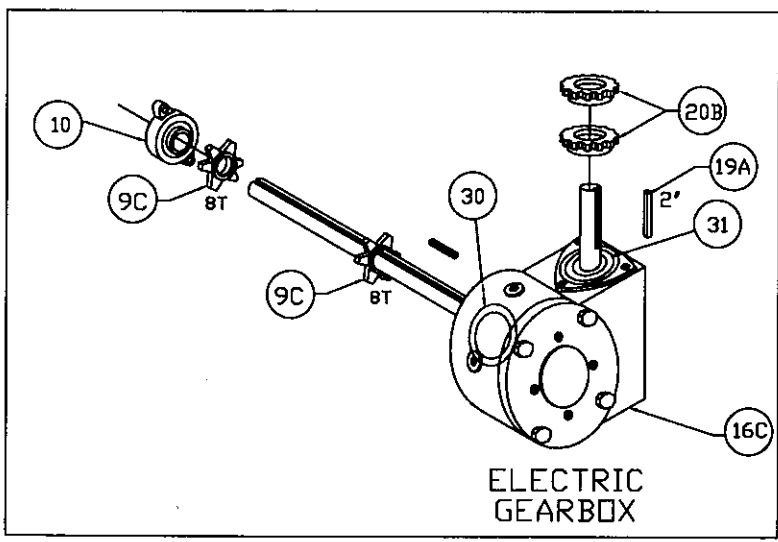
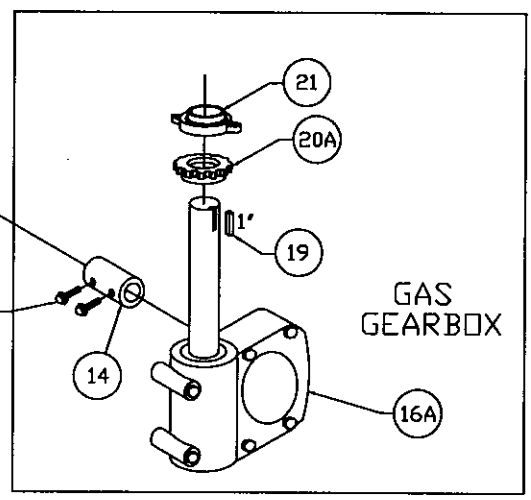
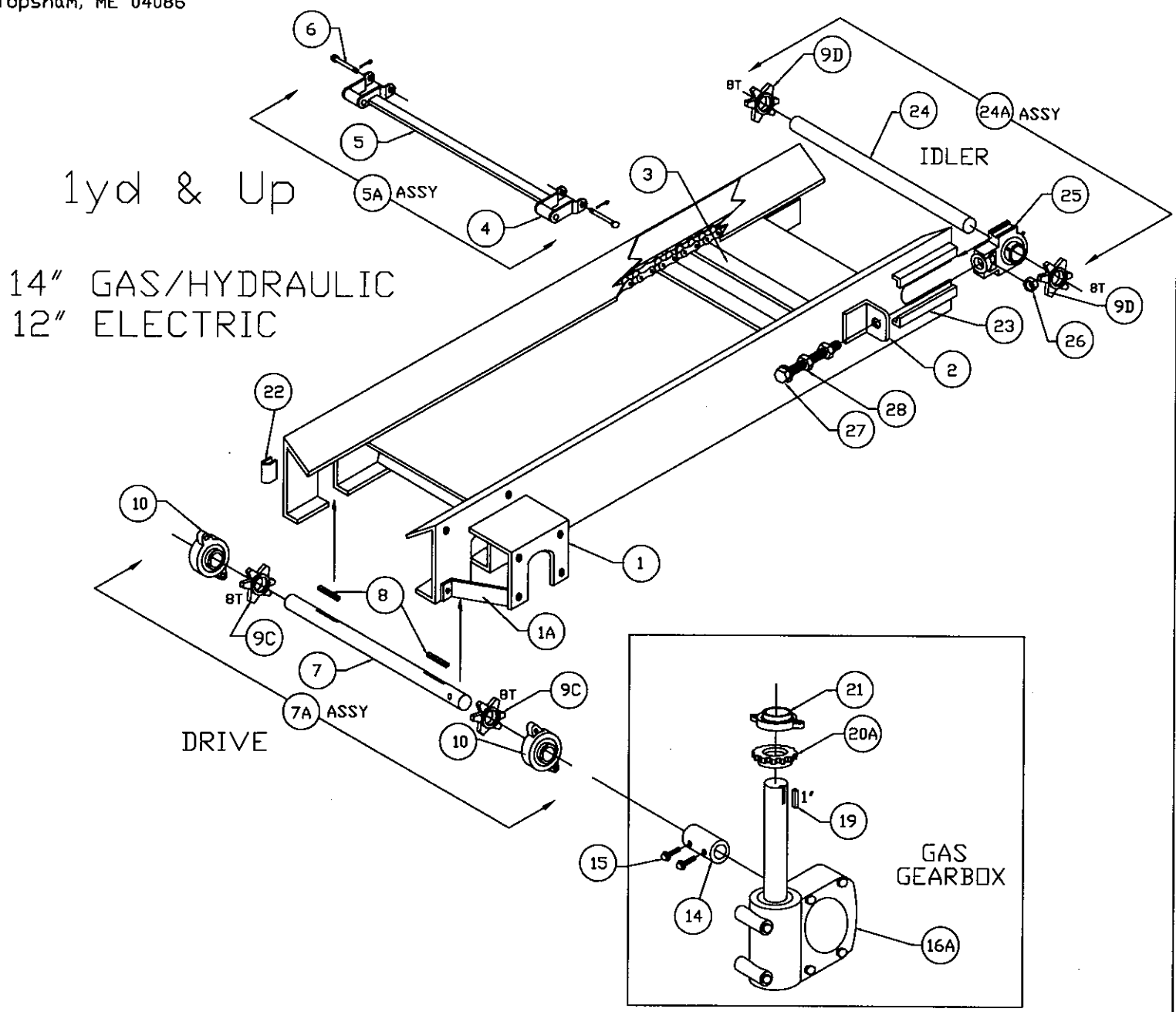
CONVEYOR PARTS Gas/Hyd & Elec 14" & 12" 1yd and up		
1	SMV509	Gearbox mounting bracket, painted steel
1	SMV509S	Gearbox mounting bracket, stainless steel.
1A	SMC505	Chute stabilizer bracket, available painted only (on older models only)
2	SMV529S	Idler adjustment angle, stainless steel
3	SPGV110A	14" X 8' conveyor chain, 662, gas/hyd, 12.25" center to center on sprockets
3	SPGV110B	14" x 9' conveyor chain, 662, gas/hyd, 12.25" center to center on sprockets
3	SPGV110C	14" x 10' conveyor chain, 662, gas/hyd, 12.25" center to center on sprockets
3	SPGV110D	14" x 7' conveyor chain, 662, gas/hyd, 12.25" center to center on sprockets
3	SPEV110A	12" x 92" conveyor chain, 662, for 8' electric sander, 10.25" center to center on sprockets
3	SPEV110B	12" x 78" conveyor chain, 662, electric, 10.25" center to center on sprockets
3	SPEV110C	12" x 43.5" conveyor chain, 662, electric, 10.25" center to center on sprockets
3	SPEV110D	12" x 24" conveyor chain, 662, electric, 10.25" center to center on sprockets
4	SPV111	Conveyor Chain Single Master Link (662), includes 2 pins w/ cotters, 1-5/8" pin to pin
5	SPGV112	Conveyor chain cross bar, 14" conveyor
5	SPEV113	Conveyor chain crossbar, 12" conveyor
5A	SPGV114	14" Conveyor chain crossbar/link assy (2 SPV111, SPGV112, no pins)
5A	SPEV114	12" Conveyor chain crossbar/link assy (2 SPV111, SPGV113, no pins)
6	SPV113	Pin w/ cotter for 662 conveyor chain
7	SPGV116	14" Conveyor Driveshaft
7	SPEV116	12" Conveyor Driveshaft, 1.125 1.125 x 16-3/8" w/ keyway
7A	SPGV115	14" driveshaft assy, (1 SPGV116, 2 SPV132, SPV118X, HWF352)
7A	SPEV115	12" driveshaft assy (1 SPGV116, 2 SPV132, SPV118X, HWF352)
8	HWF352	Key 1/4x2" conveyor driveshaft or clutch
9C	SPV118C	Conveyor drive/idler sprocket , 8Tx1.125 w/ keyway (1 yd+ electric)
9D	SPV118D	Conveyor idler sprocket (1 yd+ electric), 8Tx1.125
10	SPV132	Driveshaft bearing, 1.125
14	SPV120	Driveshaft coupling
15	HWF185	Bolt 3/8-16x2" HH (also spinner shear pin)
16A	SPV121A	Gas Gearbox - Worm Gear Reducer 20:1 output shaft 1-1/8" for 14" conveyor
16B	SPV121B	Gearbox Hydraulic - Worm gear reducer 20:1 output shaft 1-1/8 X 1.94 hydraulic adapter w/ 4 holes, 14" conveyor
16C	SPV121C	Elec Gearbox (Worm Gear Reducer 50:1 Output Shaft 1 1/8" X 14 1/2")..
19	HWF350	Key 1/4x1" Gas gearbox shaft
19A	HWF352	Key 1/4x2" Elec gearbox shaft
20A	SPV123A	Gearbox input shaft sprocket, 16T x 1, gas & gas/hydraulic spreaders
20B	SPV123B	40B-20x1 gearbox shaft sprocket, electric spreaders
21	SPV124	Gearbox shaft bearing, 1"
22	SPV128	Edge guard, plastic, short
23	SMV530	Idler adjustment bracket, conveyor, painted steel
23	SMV530S	Idler adjustment bracket, conveyor, stainless steel
24	SPGV131	14" idler shaft, 1.125
24	SPEV131	12" idler shaft, 1.125
24A	SPGV130	14" Idler shaft assy (1 SPGV131, 2 SPV118X, SPV131, HWF352)
24A	SPEV130	12" Idler shaft assy (1 SPEV131, 2 SPV118X, SPV131, HWF352)
25	SPV131	Idler shaft bearing, for 1.125" shaft
26	HWF410	Nut 3/4-10 lock (jam) H
26	HWF411	Nut 3/4-10 lock (jam) H SS
27	HWF285	Bolt 3/4" conveyor threaded adjusting bolt,ssl, w/ 2 std nuts & one lock nut
27	HWF286	Bolt 3/4" conveyor threaded adjusting bolt, mild steel, w/ 2 std nuts & one lock nut
28	HWF408	Nut 3/4-10 H
28	HWF409	Nut 3/4-10 H SS
29	SPSL102	Hydraulic Motor for Spinner on 14" & 24" Spreaders & 14" Conveyor/24" w/gearbox on pass side
30	SPV125A	1-1/8" gearbox seal, 2-7/16" outside diameter, output shaft, gas gearbox
31	SPV126B	1" gearbox seal, 2-7/16" outside diameter, input shaft, gas gearbox
32	SPV127	Freeze plug, 2-3/8", for gearboxes with plugs

DownEaster SALT SPREADER

Coastal Metal Fab
120 Old Lisbon Rd.
Topsham, ME 04086

ph: 207-729-5101
fx: 207-729-8782

Conveyor Assembly

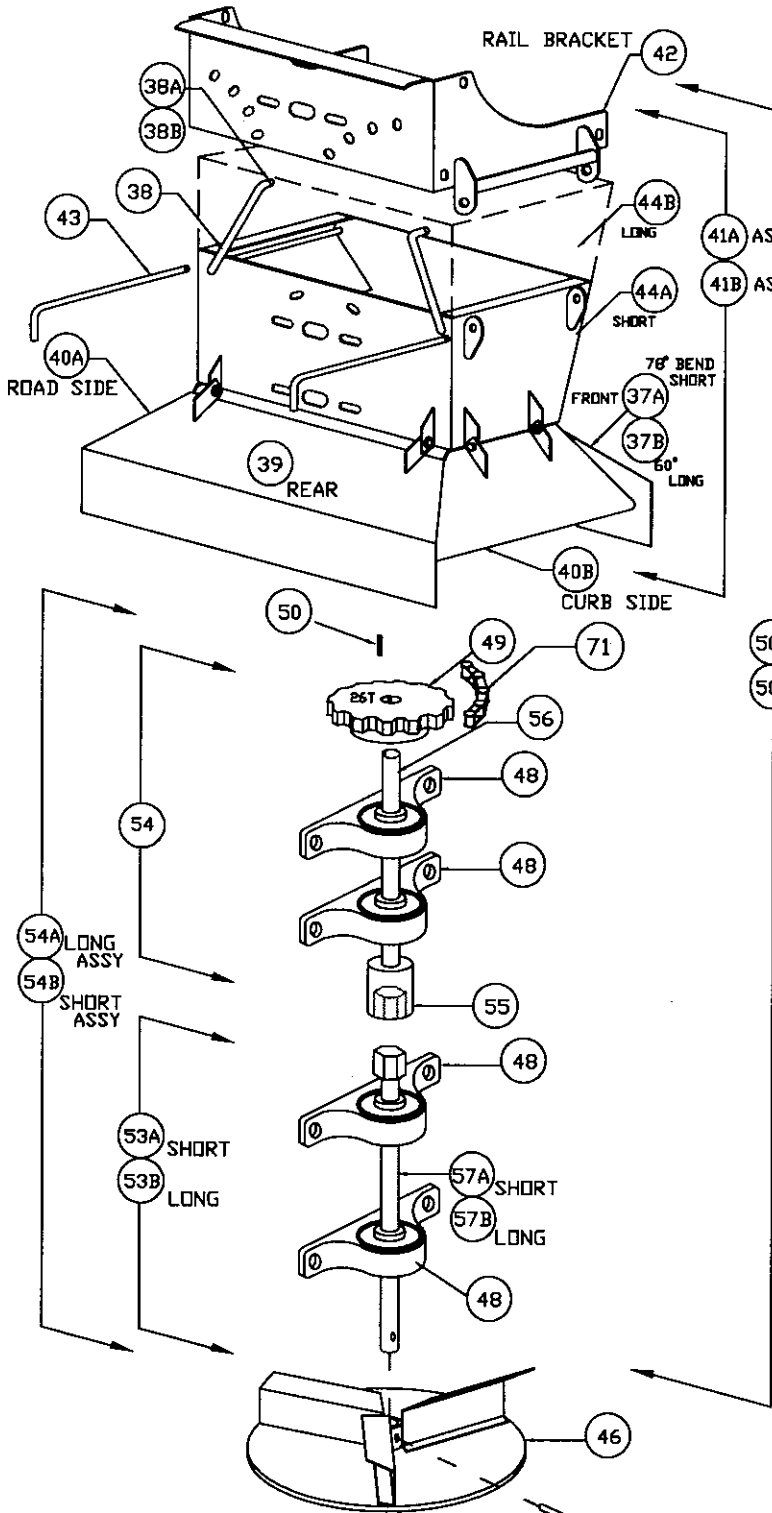


CHUTE / SPINNER PART'S Gas/Gas-Hyd Self Contained 14" Conveyor		
35	SPN114A	Chain tension adjuster, for all gas spreaders
36	SMC500	Short chute assy, painted steel, w/ int baffles & ext flaps (14"cnvyr)
36	SMC500S	Short chute assy, stainless steel, w/ int baffles & ext flaps (14"cnvyr)
37A	SMC501	Front deflector, painted (GAS) 78" Short Chute & Flipchute
37A	SMC501S	Front deflector, stainless (GAS) 78" Short Chute & Flipchute
37B	SMCXXX	Front deflector, painted (GAS) 60" Long Chute & Flipchute
37B	SMCXXX	Front deflector, stainless (GAS) 60" Long Chute & Flipchute
38	SMC504	Metering handle, fits road side or curb side, painted steel
38	SMC504S	Metering handle, fits road side or curb side, stainless steel
38A	SMC506R	Metering handle cover, chute, rubber
38B	HWC100	Metering handle collar, chute, carbon steel
38B	HWC105	Metering handle collar, chute, stainless
39	SMC507	Rear chute flap w/ hinges, painted steel
39	SMC507S	Rear chute flap w/ hinges, stainless steel
40A	SMC508	Road side chute flap w/ hinges, painted steel
40A	SMC508S	Road side chute flap w/ hinges, stainless steel
40B	SMC509	Curb side chute flap w/ hinges, painted steel
40B	SMC509S	Curb side chute flap w/ hinges, stainless steel
41	SMC510	12" long chute extension, painted steel (14" conveyor).
41	SMC510S	12" long chute extension, stainless steel (14" conveyor)
41A	SMC511	Short flip chute assy, painted w/ int baffles & ext flaps (14"cnvyr) Rail Bracket & Flip chute assy
41A	SMCS511S	Short flip chute assy, S/S, w/int baffles & ext flaps (14" cnvyr) Rail Bracket & Flip chute assy
41B	SMC521	Long flip chute assy, painted, w/ int baffles & ext flaps (14" conveyor) SMC513A & SMC519A
41B	SMC521S	Long flip chute assy, stainless, w/ int baffles, & ext flaps (14" cnvyr)
42	SMC513A	Rail bracket for flip chute, painted steel (14" cnvyr), one-piece upper chute section
42	SMC514AS	Rail bracket for flip chute, stainless steel (14" cnvyr), one-piece upper chute section
43	HWF419	Pin w/ cotter, stainless, for flip chute (2 pins needed per chute assy)
44A	SMC517A	Flip chute lower portion, SHORT, steel, with baffles & ext flaps (14" cnvyr), for 1-piece rail brkt
44A	SMC518AS	Flip chute lower portion, SHORT S/S w/ baffles & ext flaps (14" cnvyr), for one-piece rail bracket
44B	SMC519A	Flip chute lower portion, LONG, steel, with baffles & ext flaps (14" cnvyr), for one-piece rail brkt
44B	SMC520AS	Flip chute lower portion, LONG, S/S w/ int baffles & ext flaps (14" cnvyr), for one-piece rail brkt
45	SPS103	Long Spinner Shaft - Shaft only, 35", gas/hyd & 1yd+ electric spreader
45A	SPS102A	Short Spinner Shaft - Shaft only, 23", gas/hyd & 1yd+ electric spreader
45B	SPS102B	Short Spinner Shaft - Shaft only, 1/3 or 2/3 yd electric spreader
46	SPGS104A	Spinner disc, 14" painted.
46	SPGS104B	Spinner disc, 14" stainless
46	SPGS104C	Polypropylene Spinner disc, 14",
47	SPS112C	Long shaft assy, hydraulic spreader, includes shaft, 1/2 lovejoy, 2 bearings
48	SPS109A	Spinner bearing and pillow block, gas spreader (grease fitting on flat side), 7/8" shaft, UCPSB - 205 - 14 SB 7/8" bore zerk on bottom. 1yd , elec, serial# greater than 7512.
48	SPS109C	Spinner bearing and pillow block, gas spreader (grease fitting on flat side), 3/4" shaft
49	SPS110	Spinner shaft sprocket, 26T x 7/8
50	HWF350	Key 1/4x1"
50A	SMC522	Long flip chute retrofit kit, painted steel, (SMC521) and assy (SPS119)
50A	SMC522S	Long flip chute retrofit kit, S/Song flip chute (SMC521S) and long flip shaft assy (SPS119)
50B	SMC512	Short flip chute retrofit kit, painted steel, (1 ea SMC511, SPS116)
50B	SMC512S	Short flip chute retrofit kit, S/S (1 ea short flip chute assy (SMC511S) & assy SPS116)
51A	SPS107A	Short shaft assy, (gas) 23", shaft, sprocket, 2 bearings. 1yd+, elec, serial# greater than 7607
51B	SPS107B	Short shaft assy, 1 yd +(elec) shaft, 2 sprockets, 2 bearings. 1yd+, serial# less than 7608
51C	SPS107C	Short shaft assy, 1/3 or 2/3 yd (elec) shaft, 1 sprkt, 2 brngs. Serial# grtr than 7607 (MEDIUM 23")
51D	SPS107D	Short shaft assy, hydraulic spreader, includes shaft, 1/2 lovejoy, 2 bearings
51E	SPS107E	Short shaft assy, 1/3 or 2/3 (elec) shaft, 2 sprkts, 2 bearings, serial# less than 7608 (SHORT 15")
52A	SPS112A	Long spinner shaft assy, 35" (gas) shaft, sprkt, 2 bearings. 1yd+,elec, serial# greater than 7512
52B	SPS112B	Long shaft assy, 1 yd + (elec) shaft, 2 sprkts, 2 brngs. 1yd+, serial# less than 7513. (LONG 35")
53A	SPS117	Lower (SHORT) flip shaft assy, includes shaft & 2 bearings
53B	SPS121	Lower (LONG) flip shaft assy, includes shaft & 2 bearings
54	SPS118	Upper flip shaft assy, gas, includes shaft, collar, 2 bearings, sprocket
54A	SPS119	Long flip shaft assy, for long flip chute. (INCL SPS118,SPS121)
54B	SPS116	Short flip shaft assy, for short flip chute. (INCL SPS118,SPS117)
55	SPS112	Upper shaft collar, flip chute (short or long)
56	SPS113	Upper shaft, flip chute (short or long), shaft only
57A	SPS114	Lower shaft, (SHORT) flip chute, shaft only
57B	SPS120	Lower shaft, (LONG) flip chute, shaft only
58	SPN128B	Lovejoy7/8" hub for spreader..
71	SPN112A	79P (bottom chain) Roller chain, bagged, shaft to gearbox, all gas spreaders.

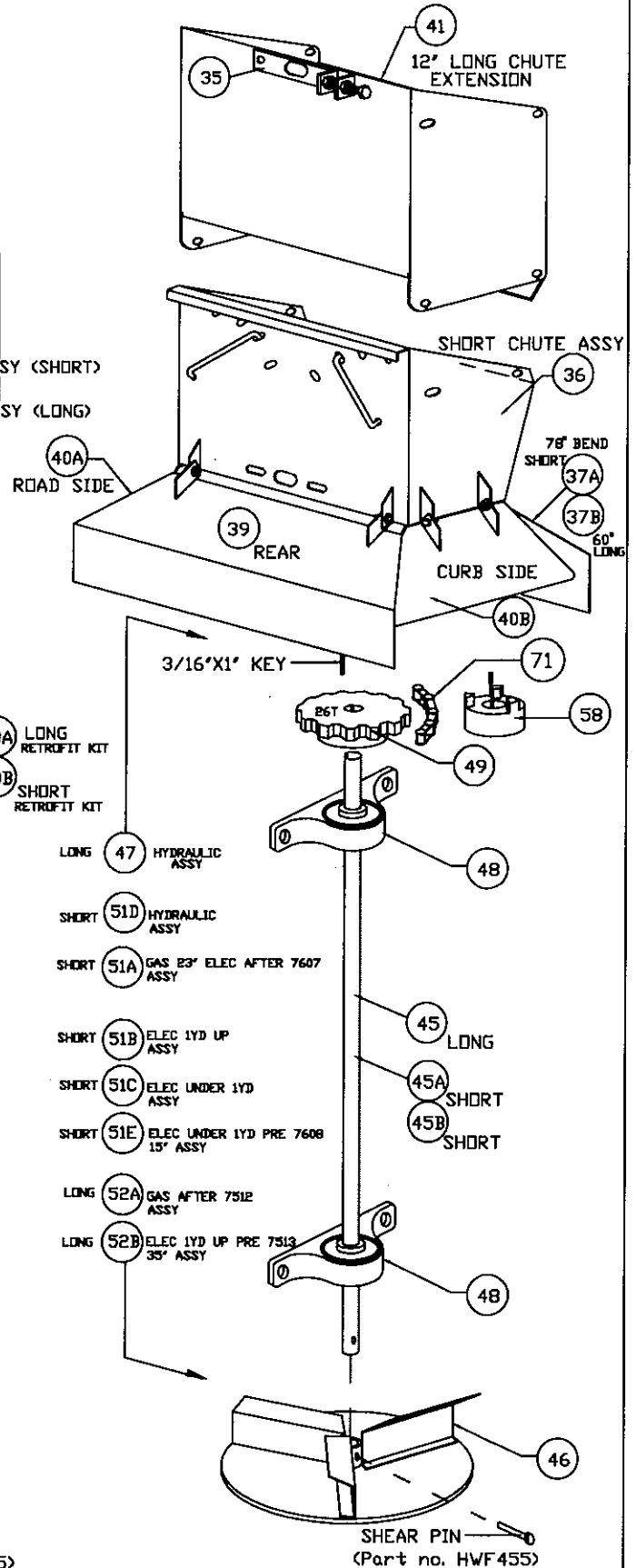
Coastal Metal Fab ph: 207-729-5101
 120 Old Lisbon Rd. fx: 207-729-8782
 Topsham, ME 04086

Chute / Spinner Assembly

FLIP CHUTE DETAIL



FIXED CHUTE DETAIL



- 50A LONG RETROFIT KIT
- 50B SHORT RETROFIT KIT
- LONG 47 HYDRAULIC ASSY
- SHORT 51D HYDRAULIC ASSY
- SHORT 51A GAS 23\"/>

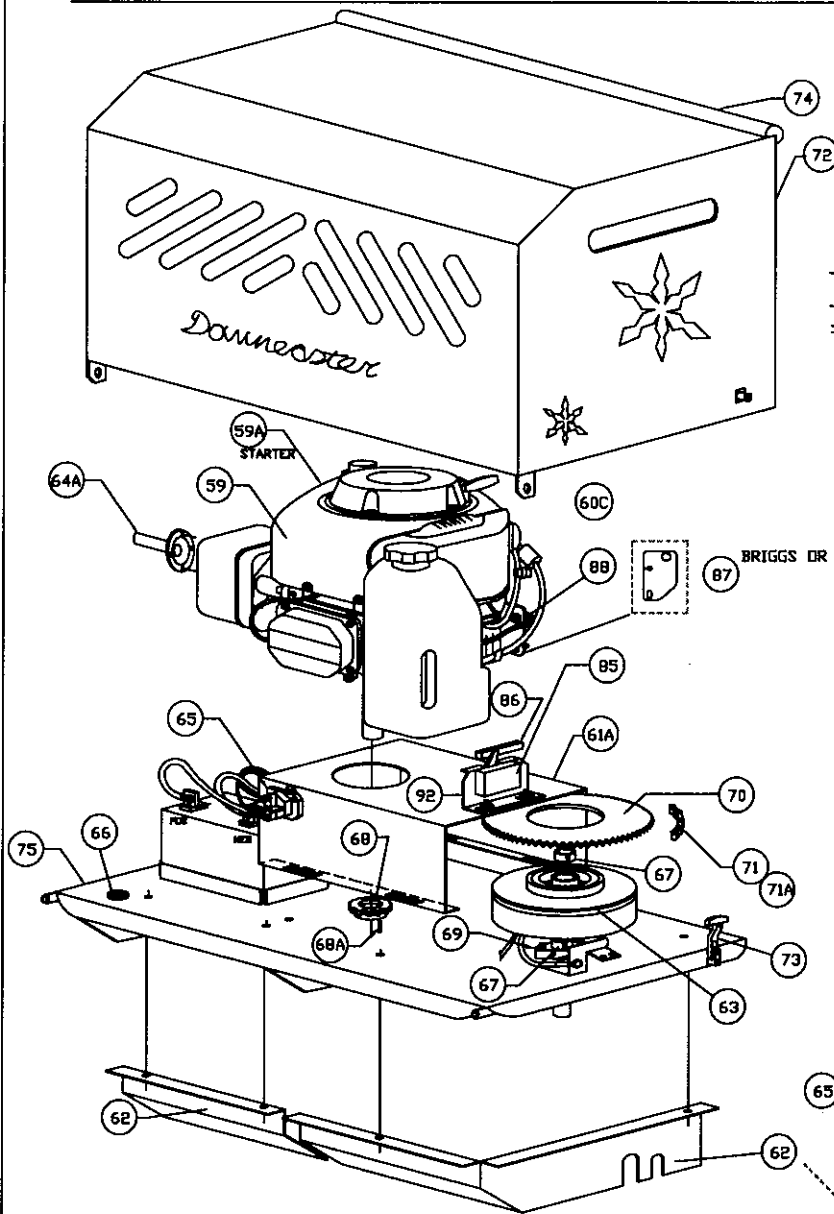
	MOTOR / DRIVE PLATFORM	Gas & Hydraulic	14" Conveyor
59	SPN100A	Briggs & Stratton Model 11.5 INTEK OHV, 215907-0133-E1 K1030	gas engine..
59A	B & HO	B & S Starter Motor for 11.5 HP Motor	
59A	B & HO	B & S Starter Motor for 9 HP 2129070114E1	
59A	B & HO	B & S Starter Motor for 11.5 HP 28B7071008E1K3030	
60	SPN100B	ENGINE-HONDA 11 HP	
60A	B & HO	Honda Starter Assy 11HP	
60B	B & HO	Honda Motor Starter Metal 11HP	
60C	B & HO	Honda Motor Starter Plastic Shroud 11HP	
60D	B & HO	Recoil cord assy 11HP	
61A	SMN501A	Engine mount, painted, Briggs	
61A	SMN502AS	Engine mount, stainless, Briggs	
61B	SMN501B	Engine mount, painted, Honda, pre-2004 (before SN 5405)	
61B	SMN501C	Engine mount, painted, Honda, 2004 & later (after SN 5404)	
61B	SMN502BS	Engine mount, stainless, Honda, pre-2004 (before SN 5405)	
61B	SMN502CS	Engine mount, stainless, Honda, 2004 & later (after SN 5404)	
62	SMN503	Painted Steel Chain Guard (2 piece's)	
62	SPN103S	Stainless Steel Chain Guard (2 piece's)	
63	SPN104A	Electric Clutch with centrifugal friction drive, for gas spreaders, 12VDC	
64A	SMN506A	Tailpipe assy, new 10.5hp Briggs & 9hp Briggs, exhausts to roadside of engine cover	
64A	SMN506D	Tailpipe assy, old 10.5hp Briggs, exhausts beneath engine platform	
64B	SMN506B	Tailpipe assy, 11hp Honda, exhaust exits on road side directly behind hopper	
64C	SMN506C	Tailpipe assy, Tecumseh	
65	SPN107	Solenoid for 14" gas spreader	
66	HWR126	Rubber grommet, 1"	
67	HWC110	Locking collar, 1", electric clutch, w/ set screws	
68	SPN109	Engine sprocket, 12T x 1", shipped with 1/4 x 1" key (pn DF-407)	
68A	HWF350	Key 1/4 x 1 engine shaft	
69	SPV124	Gearbox Shaft Bearing 1" w/zirc fitting	
70	SPN111	Clutch sprocket, 52T	
71	SPN112A	79P (bottom chain) Roller chain, bagged, shaft to gearbox, all gas spreaders.	
71	SPN112B	77P (Top Chain) (before 2005) Roller chain bagged, engine to clutch, (Briggs)/Tecumseh gas 75P (top chain) Roller chain, bagged, shaft-motor for 1yd+ electrics before SN 7608, engine-clutch for (Hondas) w/ SN after 5404, Briggs after 2005	
71	SPN112C		
71A	SPN113A	Masterlink for roller chain	
71A	SPN113B	Offset link (half link) for roller chain	
72	SMN518	Engine hood, painted steel	
72	SMN518S	Engine hood, stainless steel	
73	SPN119	Rubber hold-down, engine cover	
74	SPN120	Rubber hood gasket for engine cover, SPECIFY (20.5" Elec) (30" Gas)	
75	SMN521	Engine Platform Assembly, painted steel	
75	SMN521S	Engine Platform Assembly, Stainless Steel.	
85	SPN122D	Throttle control motor, wires on side with one lug. (FOR ALL TO CURRENT)	
85	SPN122B	Throttle control motor (old one), wires on side with two lugs	
85	SPN122C	Throttle control motor, Warner Linear S12-17A8-02	
86	SPN123A	Nylon Throttle control Link Briggs/Tecumseh	
87	SMN525	Bracket for choke indicator, stainless (HONDA or BRIGGS) ?	
88	SPN125	Choke indicator plunger switch	
89	SPN123B	Honda throttle linkage	
90	SPN122D	Throttle contr motor, 4 mtg lugs, units sold in 2005. include bracket, specify Briggs/Honda	
91	SMN524C	Throttle cont motor brkt, Honda, for SPN122A (wires on side w/ 1 lug), for use with Hondas with exhaust pipe (SN before 5405)	
91	SMN524D	Throttle control motor bracket, Honda, for SPN122B (wires on side w/2 lugs)), for use with Hondas with exhaust pipe (SN before 5405)	
91	SMN524F	Throttle control motor bracket, Honda, for SPN122C (Warner Linear motor)	
91	SMN524G	Throttle control motor bracket for Honda after SN 5405 (2004-present)	
92	SMN524A	Throttle control motor bracket, Briggs, fits 4 lug and 3 lug throttle control motors	
93	SPN128A	Lovejoy 1" hub for spreader..LOVL100X1 .. Lovejoy set for spreader to include:..3 LOVL100X1 (lovejoy, 1")..2 LOVL099/1100SOX (spider)..1 LOVL100X7/8 (lovejoy, 7/8")	
93A	SPN128		
94	SPN128B	Lovejoy 7/8" hub for spreader..	
95	SPN128C	Lovejoy spider sox for spreader..	
96	SPSL102	Hydraulic Motor, for spinner on 24"&14" spreaders, & conveyor on 14" spreader (and 24" spreader with gearbox on passenger side (50:1 gearbox))	
97	SMN501D	Motor mount, painted, hydraulic	
97	SMN502D	Motor mount, stainless, hydraulic	
98	SMN522	Engine platform, painted, hydraulic	
98	SMN522S	Engine platform, stainless, hydraulic	

DownEaster ❄️

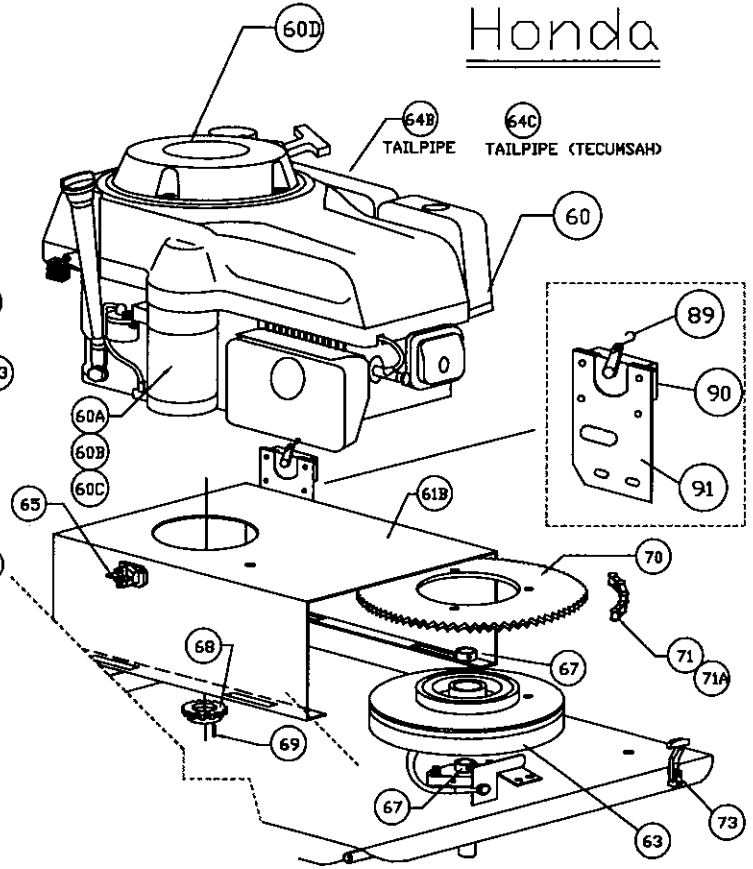
SALT SPREADER

DRIVE PLATFORM DETAILS
GAS & HYDRAULIC

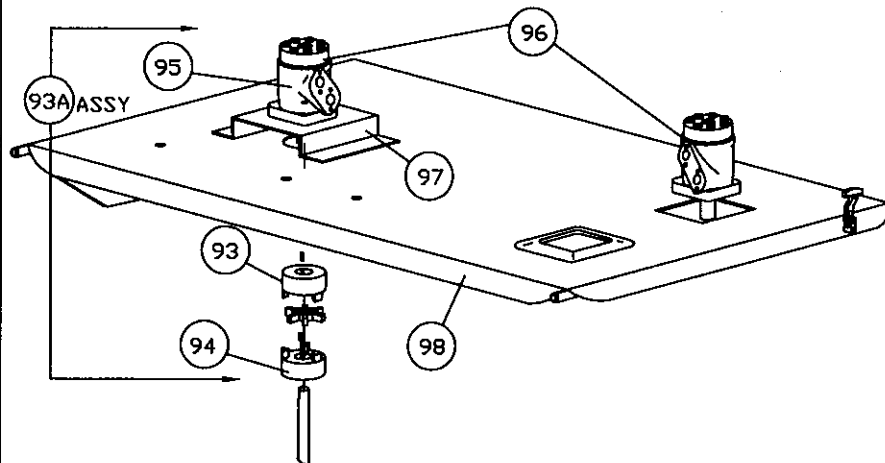
Briggs & Stratton



Honda



Hydraulic



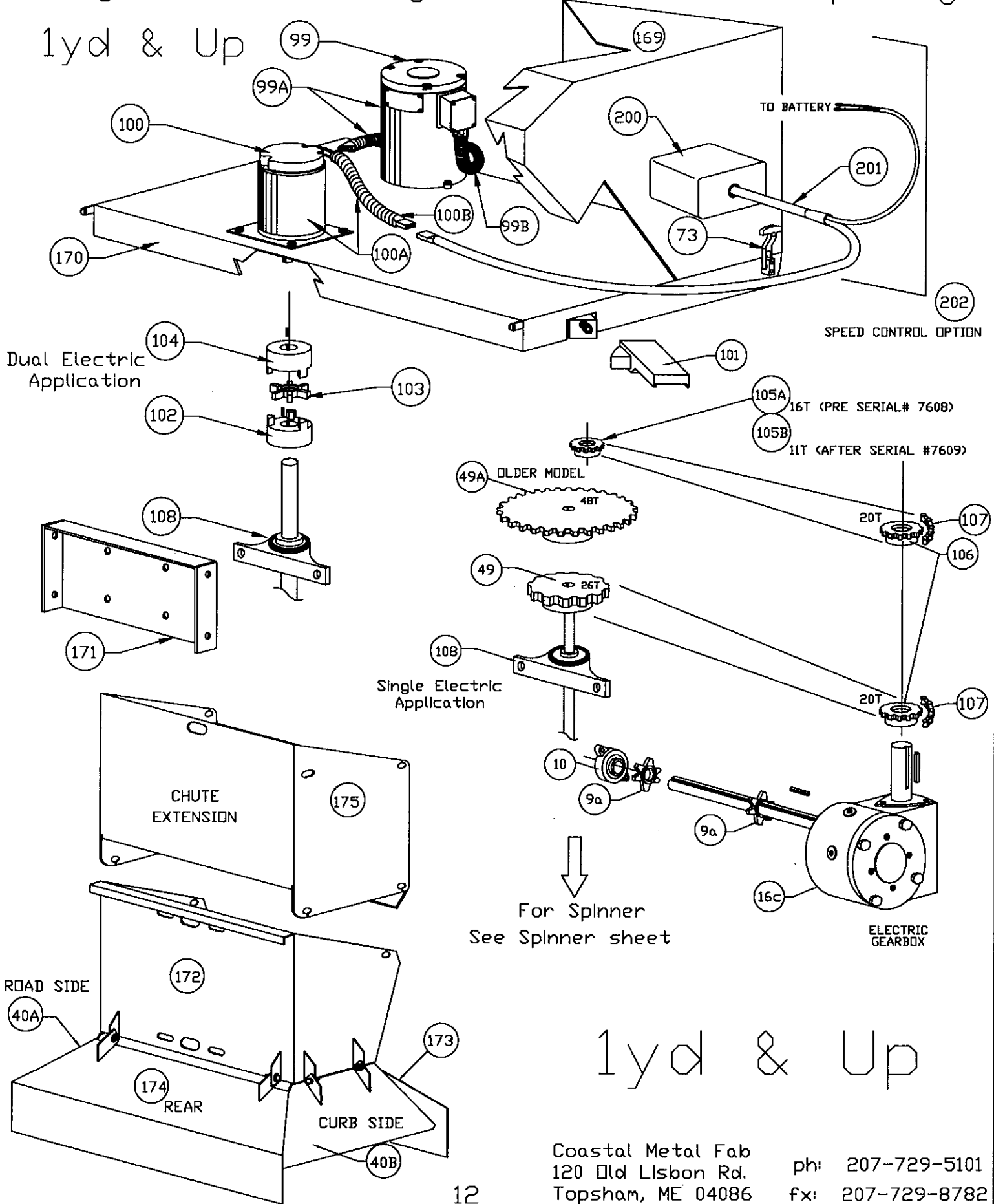
SEE SPINNER & CHUTE PARTS SHEET

ELECTRIC SPREADER DRIVE/CHUTE 1yd and up 12" conveyor		
99	SPE121	Electric motor, 1/2 hp, "motor only"
99A	SPE121A	Electric motor, 1/2 hp, "w/ PIGTAIL"
99B	SPE127A	"PIGTAIL ONLY" for SPE121 motor for V-Box spreader
100	SPE122	Electric motor, SPINNER "motor only"
100A	SPE122A	Electric motor, SPINNER "w/PIGTAIL"
100B	SPEXXX	"PIGTAIL ONLY" for SPE122 Spinner motor
101	SPN114B	Alum/Poly Chain tension adjuster, for all electric spreaders after SN 5469
101A	SPNXXX	Poly Chain tension adjuster, for all electric spreaders after SN 5469
102	SPN130	Lovejoy 7/8" w/ keyway (motor shaft)
103	SPN129C	Lovejoy spider sox for insert tailgate spreader
104	SPN129B	Lovejoy 1/2" with keyway (spinner shaft)
105A	SPE133A	Electric spreader motor sprocket, 16Tx5/8 bore B hub (pre serial#7608)
105B	SPE133B	Electric spreader motor sprocket, 11Tx5/8 bore w/ collar & keyway (after serial #7609)
106	SPV123B	40B-20x1 gearbox shaft sprocket, electric spreaders
107	SPN112D	67P Roller chain, bagged, shaft-gearbox for 1yd+ elec after SN 5469 & before 7608, 1/3&2/3 yd elec before SN 5470, engine-clutch(Hondas) w/ SN before 5405
107	SPN112E	65P Roller chain bagged, shaft to gearbox 1yd+ elec before SN 5470, shaft to motor 1/3 & 2/3 yd before 7608
107	SPN112F	67P Roller chain, bagged with master link, plus offset link (half-link) shaft-gearbox for 1/3&2/3 yd elec after SN 5469 - DE105D + DE106B
107	SPN112G	71P Roller chain, bagged, gearbox to spinner shaft for elec after SN 5469, gearbox to motor for all elec after SN 7607, 1/3&2/3 yd elec before SN 5470, engine-clutch Hondas w/ SN before 5405
108	SPS109B	Spinner bearing and pillow block, electric spreader (grease fitting on round), 7/8" shaft, UCPSB - 205 - 14 SB 7/8" bore zerk on top. All 1/3 & 2/3, 1yd+ serial# less than 7513...
169	SME531	Engine cover, painted, 1 yd+ electric spreaders
169	SME531S	Engine cover, stainless, 1 yd+ electric spreaders
170	SMN527	Electric Motor Platform 1yd & Up
170	SMN527S	Electric Motor Platform 1yd & Up S/S
171	SME535	Spinner mounting plate, 1 yd+ electric spreaders, painted (OLDER MODELS ONLY)
171	SME535S	Spinner mounting plate, 1 yd+ electric spreaders, stainless (OLDER MODELS ONLY)
73	SPN119	Rubber hold-down, engine cover
49	SPS110	Spinner shaft sprocket, 26T x 7/8
49A	SPS111	Electric spreader spinner shaft top sprocket, 48T x 7/8 w/ collar & keyway..40B-48 X 7/8". serial# less than 7513.way
9A	SPV118A	Conveyor drive/idler sprocket, 6T x 1.125, with keyway (less than 1yd)
10	SPV132	Driveshaft bearing, 1.125
16C	SPV121C	Elec Gearbox (Worm Gear Reducer 50:1 Output Shaft 1 1/8" X 14 1/2")..
172	SMC525	Chute, 1 yd+ electric spreader, painted
172	SMC525S	Chute, 1 yd+ electric spreader, stainless
40A	SMC508	Road side chute flap w/ hinges, 1YD +electric spreader painted steel
40A	SMC508S	Road side chute flap w/ hinges, 1YD +electric spreader stainless steel
40B	SMC509	Curb side chute flap 1YD +electric spreader painted steel
40B	SMC509S	Curb side chute flap 1YD +electric spreader stainless steel
173	SMC526	Front chute flap, painted (GAS)
173	SMC526S	Front chute flap, stainless (GAS)
174	SMC527	Rear chute flap w/ hinges, painted steel
174	SMC527S	Rear chute flap w/ hinges, stainless steel
175	SMC528	Chute Extension 1yd +electric spreader
175	SMC528S	Chute Extension 1yd +electric spreader
200		Control box
201		Wiring harness for speed control (v-box electric)
202		Speed Control option for V-box spreader
	SPE123	Solenoid for electric spreader
	SPE124	Switch for electric spreader
	SPE125	Wire kit, truck end, for electric spreaders (red & black w/ plug, 2 short red cables)
	SPE126	Circuit breaker, 100 amp (electric spreader)
	SPE127	Motor end wire pigtail, electric spreader, 6-ga wire in loom with connector termination
	SPE128	Replacement plug w/ 6 ga lugs, electric spreader, (male & female are identical)
	SPE133A	Sprocket - #40 Chain, 16 Tooth, B Hub X 5/8" Bore For Electric Spreader Motor
	SPE134	Truck wiring assy kit, (1 ea SPE123,SPE124,SPE125,SPE126)
	SPE137	Nylon sand deflector, 1 yd+ electric spreaders
	SPE139A	Plastic bed shield, 12"x92", 1yd+ electric spreaders (except 1.2 yd)
	SPE139B	Plastic bed shield, 12"x78", 1.2 yd electric spreader

DownEaster Electric Detail

Single Motor Package And Dual motor package

1yd & Up



1yd & Up

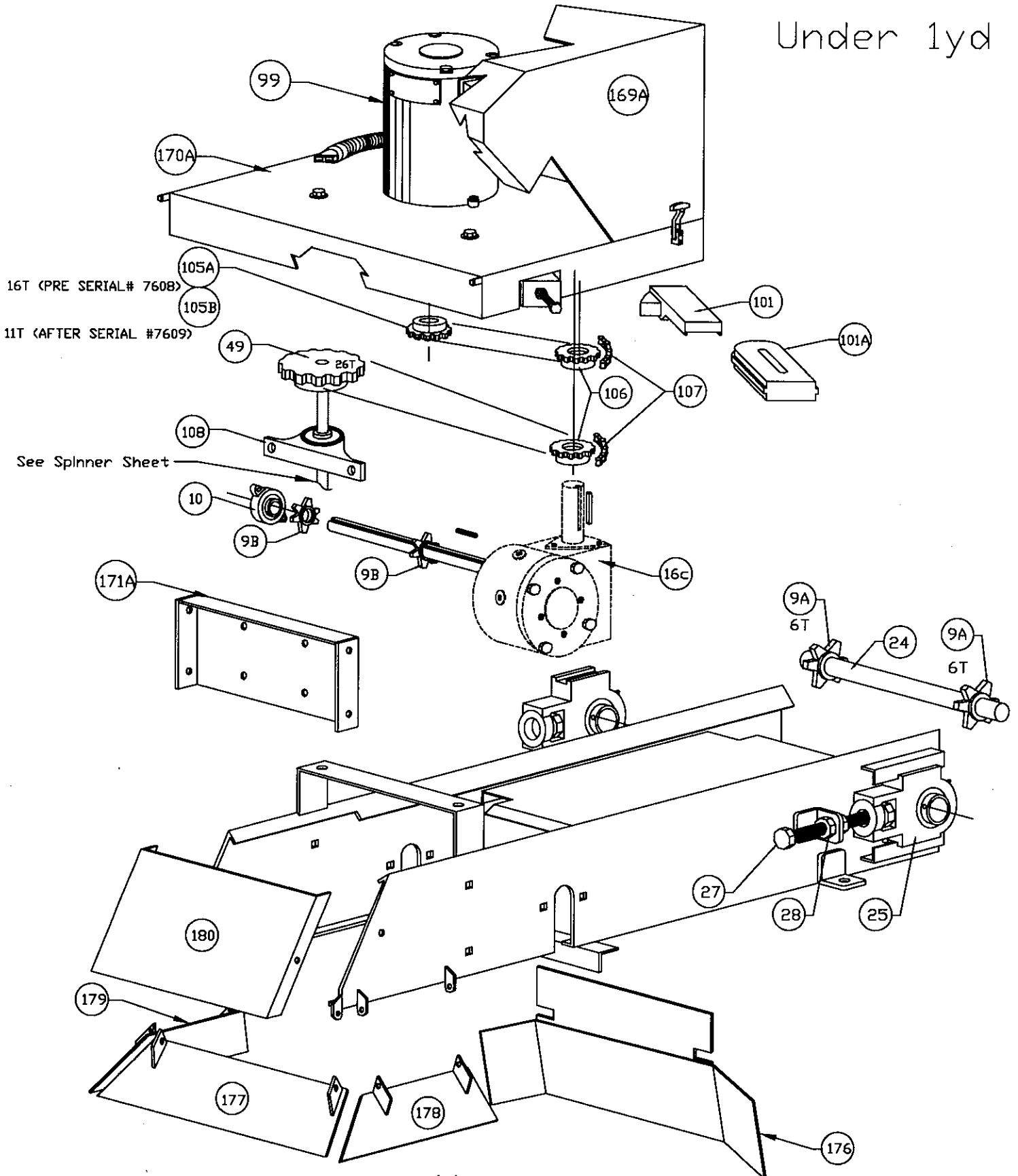
Coastal Metal Fab
120 Old Lisbon Rd.
Topsham, ME 04086

ph: 207-729-5101
fx: 207-729-8782

ELECTRIC SPREADER DRIVE/CHUTE/CONVEYOR 1/3yd & 2/3 yd		
99	SPE121	Electric motor, 1/2 hp
99A	SPE121A	Electric motor, 1/2 hp, "w/ PIGTAIL"
99B	SPE127A	"PIGTAIL ONLY" for SPE121 motor for V-Box spreader
101	SPN114B	Alum/Poly Chain tension adjuster, for all electric spreaders after SN 5469
101A	SPNXXX	Poly Chain tension adjuster, for all electric spreaders after SN 5469
105A	SPN133A	Electric spreader motor sprocket, 16Tx5/8 bore B hub (pre serial#7608)
105B	SPE133B	Electric spreader motor sprocket, 11Tx5/8 bore w/ collar & keyway (after serial #7609)
106	SPV123B	40B-20x1 gearbox shaft sprocket, electric spreaders
107	SPN112D	67P Roller chain, bagged, shaft-gearbox for 1yd+ elec after SN 5469 & before 7608, 1/3&2/3 yd elec before SN 5470,engine-clutch(Hondas) w/ SN before 5405
107	SPN112E	65P Roller chain bagged, shaft to gearbox 1yd+ elec before SN 5470, shaft to motor 1/3 & 2/3 yd before 7608
107	SPN112F	67P Roller chain, bagged with master link, plus offset link (half-link) shaft-gearbox for 1/3&2/3 yd elec after SN 5469 - DE105D + DE106B
107	SPN112G	71P Roller chain, bagged, gearbox to spinner shaft for elec after SN 5469, gearbox to motor for all elec after SN 7607, 1/3&2/3 yd elec before SN 5470,engine-clutch Hondas w/ SN before 5405
108	SPS109B	Spinner bearing and pillow block, electric spreader (grease fitting on round), 7/8" shaft, UCPSB - 205 - 14 SB 7/8" bore zerk on top. All 1/3 & 2/3, 1yd+ serial# less than 7513...
169A	SME531	Engine cover, painted, Under 1 yd electric spreaders
169A	SME531S	Engine cover, stainless, Under 1 yd electric spreaders
170A	CMF	Electric Motor Platform Under 1yd
170A	CMF	Electric Motor Platform Under 1yd S/S
171A	SME536	Spinner mounting plate, 1/3 & 2/3 yd electric spreaders, painted..
171A	SME536S	Spinner mounting plate, 1/3 & 2/3 yd electric spreaders, stainless
176	SME538	Splash Guard 1/3 & 2/3 yd Electric spreader
176	SME538s	Splash Guard 1/3 & 2/3 yd Electric spreader S/S
177	SMC529	Rear Chute flap 1/3 & 2/3 yd Electric Spreader
177	SMC529s	Rear Chute flap 1/3 & 2/3 yd Electric Spreader S/S
178	SMC530	Curb Side flap 1/3 & 2/3 yd Electric Spreader
178	SMC530s	Curb Side flap 1/3 & 2/3 yd Electric Spreader S/S
179	SMC531	Road Side flap 1/3 & 2/3 yd Electric Spreader
179	SMC531s	Road Side flap 1/3 & 2/3 yd Electric Spreader S/S
180	SMC532	Conveyor End Panel 1/3 & 2/3 yd Electric Spreader
180	SMC532s	Conveyor End Panel 1/3 & 2/3 yd Electric Spreader S/S
9A	SPV118A	Conveyor drive/idler sprocket, 6T x 1.125, with keyway (less than 1yd)
9B	SPV118B	Conveyor idler sprocket, D662 6T 1.125" bore w/o keyway (less than 1yd)
10	SPV132	Driveshaft bearing, 1.125
16C	SPV121C	Elec Gearbox (Worm Gear Reducer 50:1 Output Shaft 1 1/8" X 14 1/2"..)
24	SPEV131	12" idler shaft, 1.125
25	SPV131	Idler shaft bearing, for 1.125" shaft
26	HWF410	Nut 3/4-10 lock (jam) H
26	HWF411	Nut 3/4-10 lock (jam) H SS
27	HWF285	Bolt 3/4" conveyor threaded adjusting bolt,ssl, w/ 2 std nuts & one lock nut
27	HWF286	Bolt 3/4"conveyor threaded adjusting bolt, mild steel, w/ 2 std nuts & one lock nut
28	HWF408	Nut 3/4-10 H
28	HWF409	Nut 3/4-10 H SS
49	SPS110	Spinner shaft sprocket, 26T x 7/8
49A	SPS111	Electric spreader spinner shaft top sprocket, 48T x 7/8 w/ collar & keyway..40B-48 X 7/8". serial# less than 7513.way
73	SPN119	Rubber hold-down, engine cover
	SPE123	Solenoid for electric spreader
	SPE124	Switch for electric spreader
	SPE125	Wire kit, truck end, for electric spreaders (red & black w/ plug, 2 short red cables)
	SPE126	Circuit breaker, 100 amp (electric spreader)
	SPE127	Motor end wire pigtail, electric spreader, 6-ga wire in loom with connector termination
	SPE128	Replacement plug w/ 6 ga lugs, electric spreader, (male & female are identical)
	SPE129	3 Point Hitch For for Baby Sander
	SPE130	Hitch mount for Baby spreader (DP/DS-0302E)
	SPE133A	Sprocket - #40 Chain, 16 Tooth, B Hub X 5/8" Bore For Electric Spreader Motor
	SPE134	Truck wiring assy kit, (1 ea SPE123,SPE124,SPE125,SPE126)

Electric Drive/Conveyor/Chute Detail Baby/Junior/Gator

Under 1yd



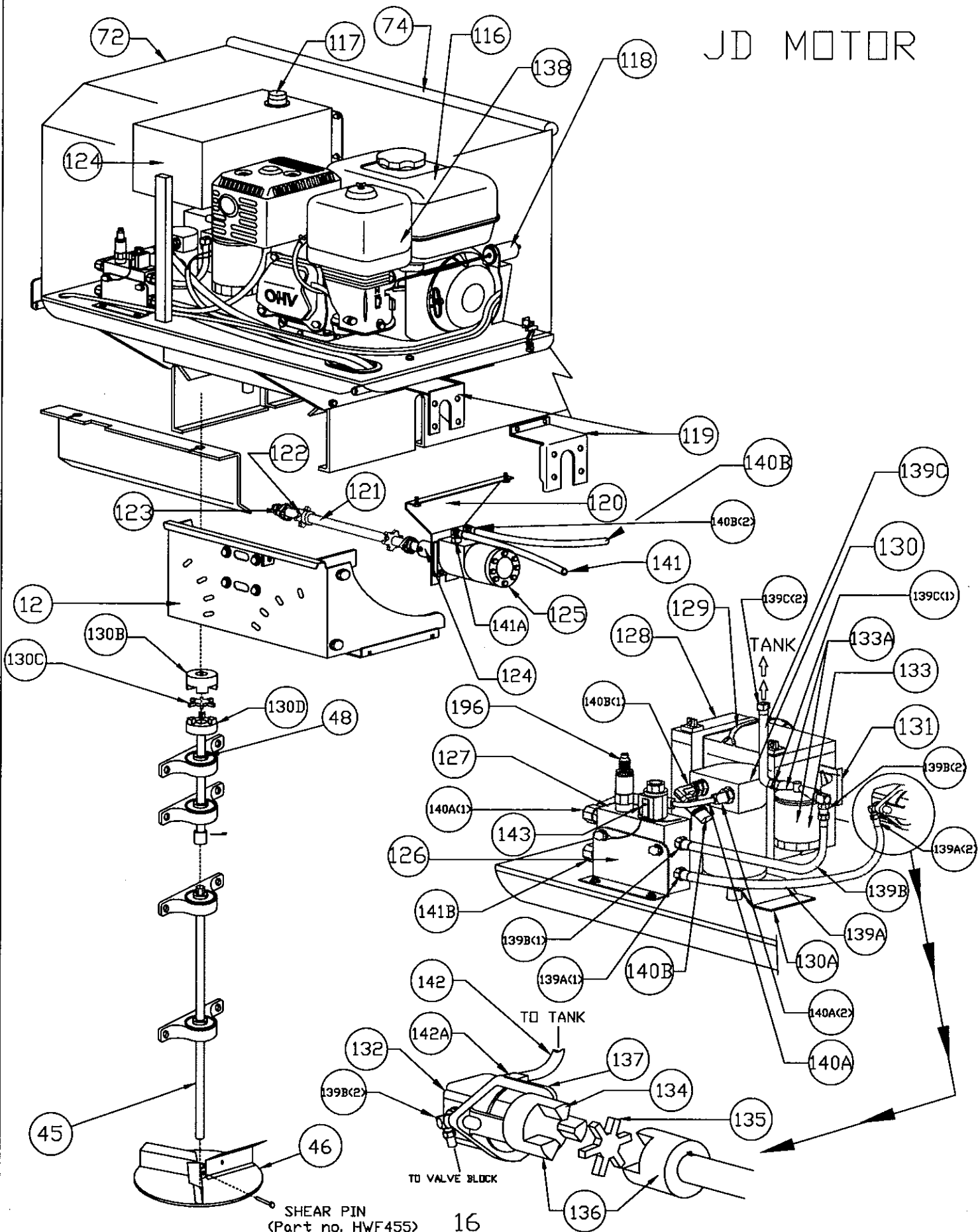
GAS DRIVEN SELF CONTAINED HYDRAULIC SPREADER

116	SPN100E	J.D.Tech 5.5HP Engine
117	CMF	Hydraulic Tank
118	SPE146	Choke Solenoid
119	CMF	Pump Bracket
120	CMF	Pump Plate
121	SPV116	Drive Shaft
122	SPV118A	Conveyor drive/idler sprocket, 6T x 1.125, with keyway (less than 1yd)
123	SPV132	Driveshaft bearing, 1.125
124	SPV120	Shaft Coupling 1-1/8"
125	SPH113	Hydraulic Drive Motor
126	CMF	Valve Block Bracket
127	SPH115	Valve Block (Sterling)
128	SPE116A	Absorbed Glass Mat Battery, new style, 7.5x5x7 (LxWxD), for spreaders w/ batt tray under engine
129		Battery Strap
130	SPH114	Hydraulic Spinner Motor for 5.5 hp
130A		Mounting Bracket for Hydraulic Spinner Motor
130B	SPN130B	Lovejoy 5/8" w/ keyway (motor shaft)
130C	SPN129C	Lovejoy spider sox
130D	SPN130	Lovejoy 7/8" with keyway (spinner shaft)
131	SPN122A	Throttle Assembly
132	SPH112	Hydraulic Pump C204 for 5.5hp
133	SPH125	Hydraulic Filter for 5.5hp (filter only)
133A	SPH117	Hydraulic Filter Assembly for 5.5hp (includes both Filter and Head)
134	SPN130C	Love Joy 7/16" w/ 3/32" key
135	SPN129C	Love Joy Spider
136	SPN130A	Love Joy 3/4" w/ 3/16" keyway
137	SPH116	Hydraulic Mount for Pump
138	SPH118	Filter Breather Assy Honda or J.D 5.5
139A	SPH126XXX	Hose assy 13" Valve Block to Pump(hose assy w/ ends)
139A(1)	SPHXXX	Hose fitting (valve block fitting) part of SPH126
139A(2)	SPHXXX	Hose fitting (Pump fitting) part of SPH126
139B	SPH127XXX	Hose assy 15" Valve Block to Filter(hose assy w/ ends)
139B(1)	SPHXXX	Hose fitting (valve block fitting) part of SPH127
139B(2)	SPHXXX	Hose fitting (Filter fitting) part of SPH127
139C	SPH132XXX	Hose assy 12" Filter to Tank (hose assy w/ends)
139C(1)	SPHXXX	Hose fitting (Filter fitting) part of SPH132
139C(2)	SPHXXX	Hose fitting (Tank fitting) part of SPH132
140A	SPH128XXX	Hose assy 7" Spinner Motor to Valve Block(hose assy w/ ends)
140A(1)	SPHXXX	Hose fitting(valve block fitting) part of SPH128
140A(2)	SPHXXX	Hose fitting (spinner motor fitting) part of SPH128
140B	SPH129XXX	Hose assy 31-1/2" Spinner Motor to Drive Motor(hose assy w/ ends)
140B(1)	SPHXXX	Hose fitting (spinner motor fitting) part of SPH129
140B(2)	SPHXXX	Hose fitting(drive motor fitting) part of SPH129
141	SPH130XXX	Hose assy 31-1/2" Valve Block to Drive Motor (hose assy w/ ends)
141A	SPHXXX	Hose fitting (drive motor fitting) part of SPH130
141B	SPHXXX	Hose fitting (valve block fitting) part of SPH130
142	SPH131XXX	Hose assy 12" Pump to Tank(hose assy w/ ends)
142A	SPHXXX	Hose fitting (pump fitting) part of SPH131
142B	SPHXXX	Hose fitting (tank fitting) part of SPH131
143	CMFXXX	Solenoid
72	SMN518	Engine hood, painted steel
74	SPN120	Rubber hood gasket for engine cover, approx 20.5"
42	SMC513A	Rail bracket for flip chute, painted steel (14" cnvyr), one-piece upper chute section
196	CMFXXX	Relief Valve

DownEaster*

GAS ENGINE DRIVEN HYDRAULIC SALT SPREADER

JD MOTOR

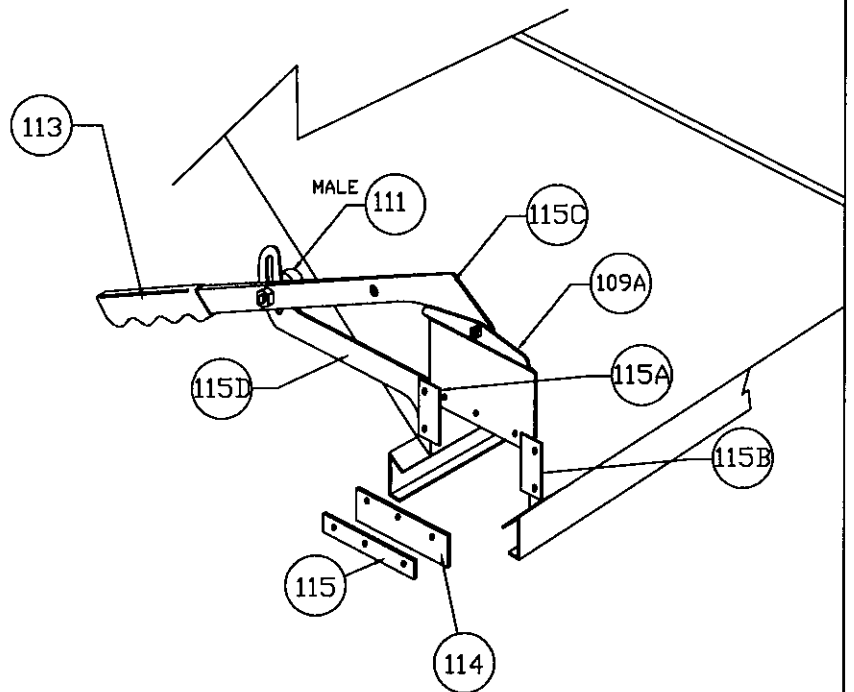


Feed Gate		
ASSY	SMG500	Feed gate assy, painted steel, includes gate (SMG501), tab (SMG502), gate lock knob (SPG103A), arm(SMG504), grip (DSPG110), and hardware
ASSY	SMG500S	Feed gate assy, stainless steel, includes gate (SMG501S), tab (SMG502S), gate lock knob (SPG103A), arm(SMG504S), grip (SPG110), and hardware
109	SMG501	Feed gate, painted steel
109	SMG501S	Feed gate, stainless steel
109A		Feed Gate, Stainless steel NEW STYLE (serial no. 9297 and up)
110	SMG502S	Gate tab, stainless steel
111	SPG103A	Gate lock knob SPECIFY (Male for Gas) (Female for Electric)
112	SMG504	Gate adjusting arm, painted steel
112	SMG504S	Gate adjusting arm, stainless steel
113	SPG110	Handle grip, gate arm, rubber
114	SPG108	Salt flap
115	SMG509	Salt flap attachment plate, comes only in stainless
115A	SMG505	Stop pin, painted steel
115A	SMG505S	Stop pin, stainless steel
115B	SMG507	Gate track, painted steel
115B	SMG507S	Gate track, stainless steel
115C		Handle lock positioner

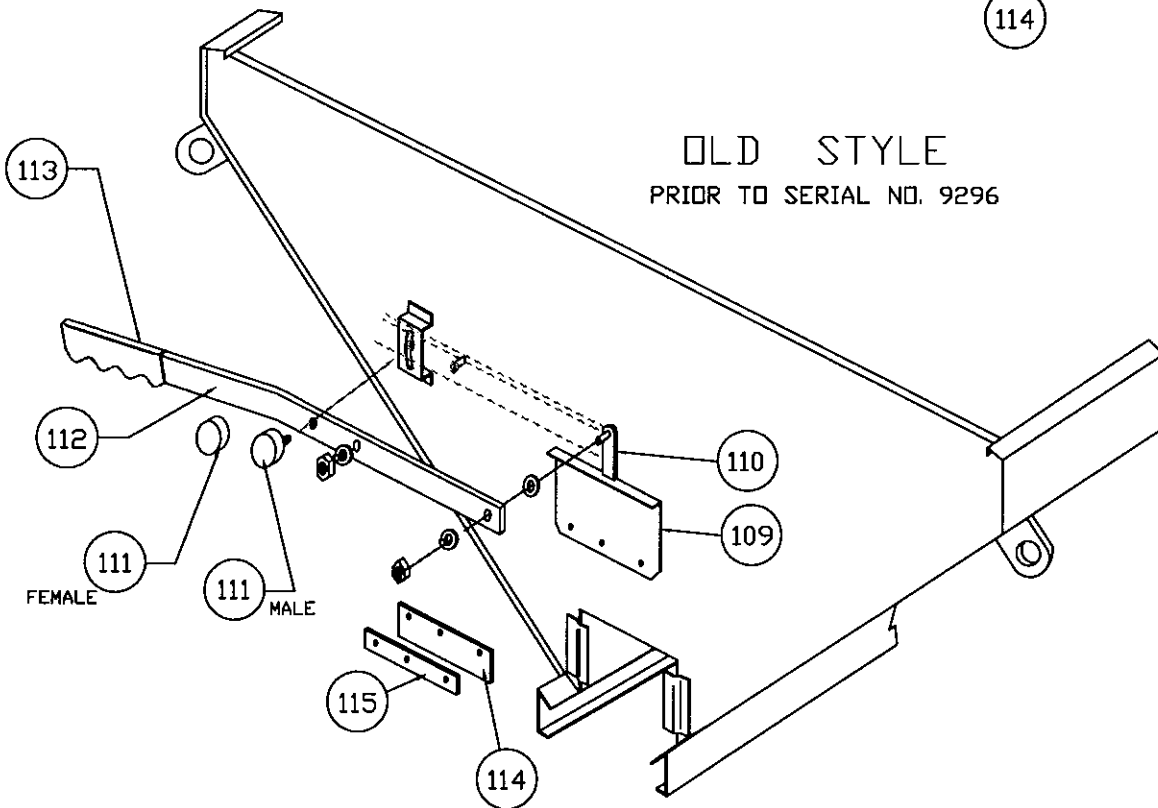
DownEaster SALT SPREADER

Feed Gate Assembly

NEW STYLE
SERIAL NO. 9297 AND UP



OLD STYLE
PRIOR TO SERIAL NO. 9296

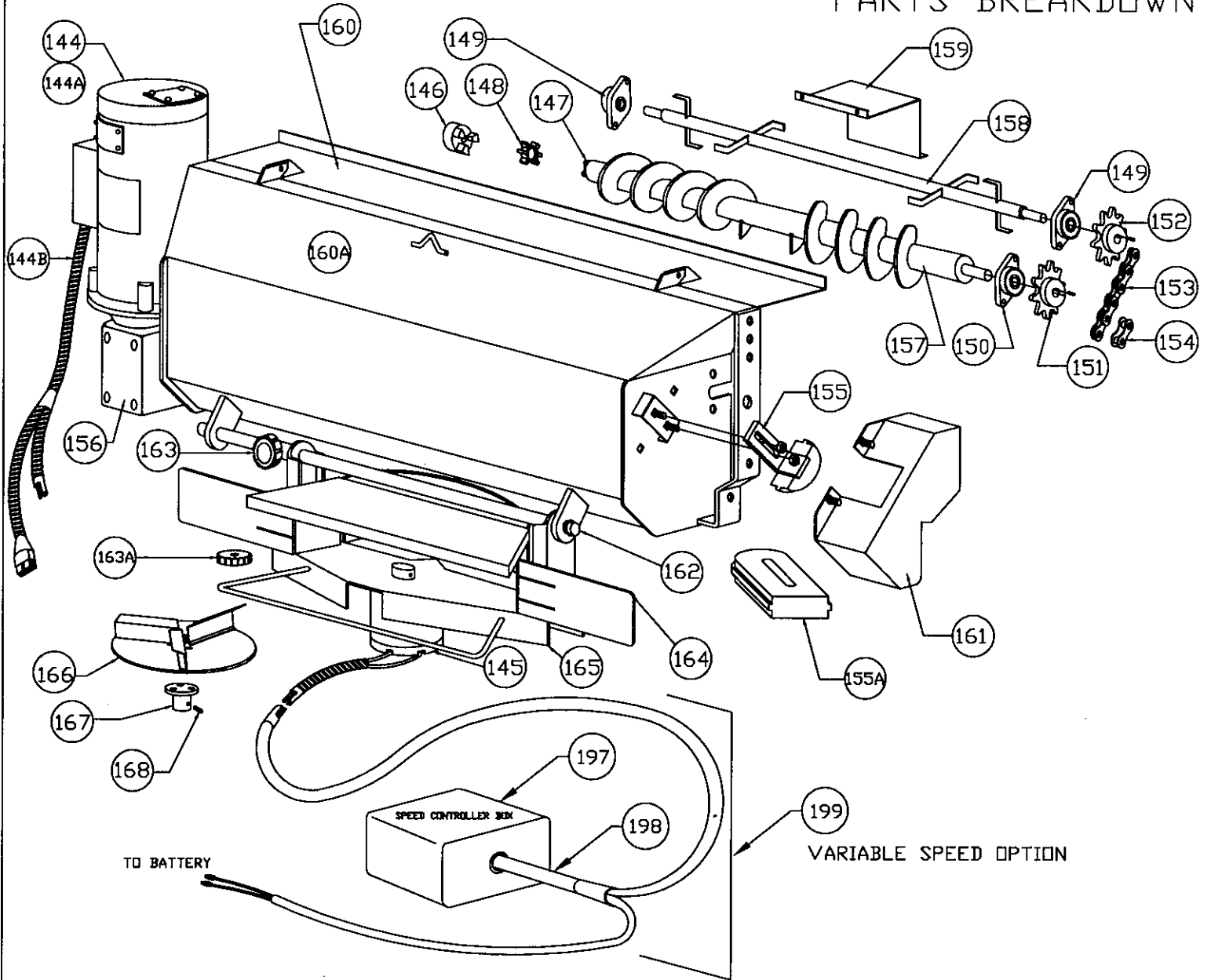


TAILGATE SPREADER

144	SPE121	Electric motor, 1/2 hp, "motor only"
144A	SPE121B	Electric Motor, 1/2 hp, for IP-140 (AUGER) w/ PIGTAIL
144B	SPE127B	"Pigtail Wire Only" for IP-140 Auger motor SPE121
145	SPE122	Electric motor SPINNER " Motor only"
145A	SPE122A	Electric motor SPINNER " w/PIGTAIL"
145B	SPEXXX	"Pigtail Wire Only" for Spinner Motor
146	SPN129A	Lovejoy1" hub for insert tailgate spreader, fits shaft coming off gearbox
147	SPN130	Lovejoy 7/8" hub for insert tailgate spreader, fits into auger pipe
148	SPN129C	Lovejoy spider sox for insert tailgate spreader
149	SPV132	Shaft bearing, for 1-1/8" shaft
150	SPV124	Shaft bearing, for 1" shaft
151	SPE141	16T 40B Sprocket for 1'-1/8" shaft
152	SPV123A	16T 40B Sprocket for 1" Shaft
153	SPN112H	Roller Chain 37P
154	SPN113A	Masterlink for roller chain
155	SPN114B	Chain tension adjuster
155A		<i>Poly chain tension adjuster (optional)</i>
156	SPV121D	Gearbox (worm gear) 60:1 Ratio
157	CMF157	Feed Auger 2-1/4" O.D. x 48" w/ 1-1/8" shaft on Sprocket end
158	CMF158	Mixing Auger 1" x 48" w/1" shaft
159	CMF159	Center Feed Gate Cover
160	CMF160	Top cover
160A	CMF160A	Tailgate Spreader Enclosure
161	CMF161	Chain Guard cover
162	CMF162	Spinner Bar
163	SPG103A	Adjuster Knob Male
163A	SPG103B	Adjuster Knob Female
164	CMF164	Spinner chute flaps 2ea.
165	CMF165	Spinner Basket Assembly
166	SPSL104	Spinner disc, 14" stainless
167	CMFDD946	Spinner Hub
168	CMF168	Spinner Hub Allen Screw
197		<i>Control Box for speed control</i>
198		<i>Wiring harness for speed control</i>
199	SOP002	<i>Variable speed control option for IP140 (includes box,wiring harness and motor)</i>



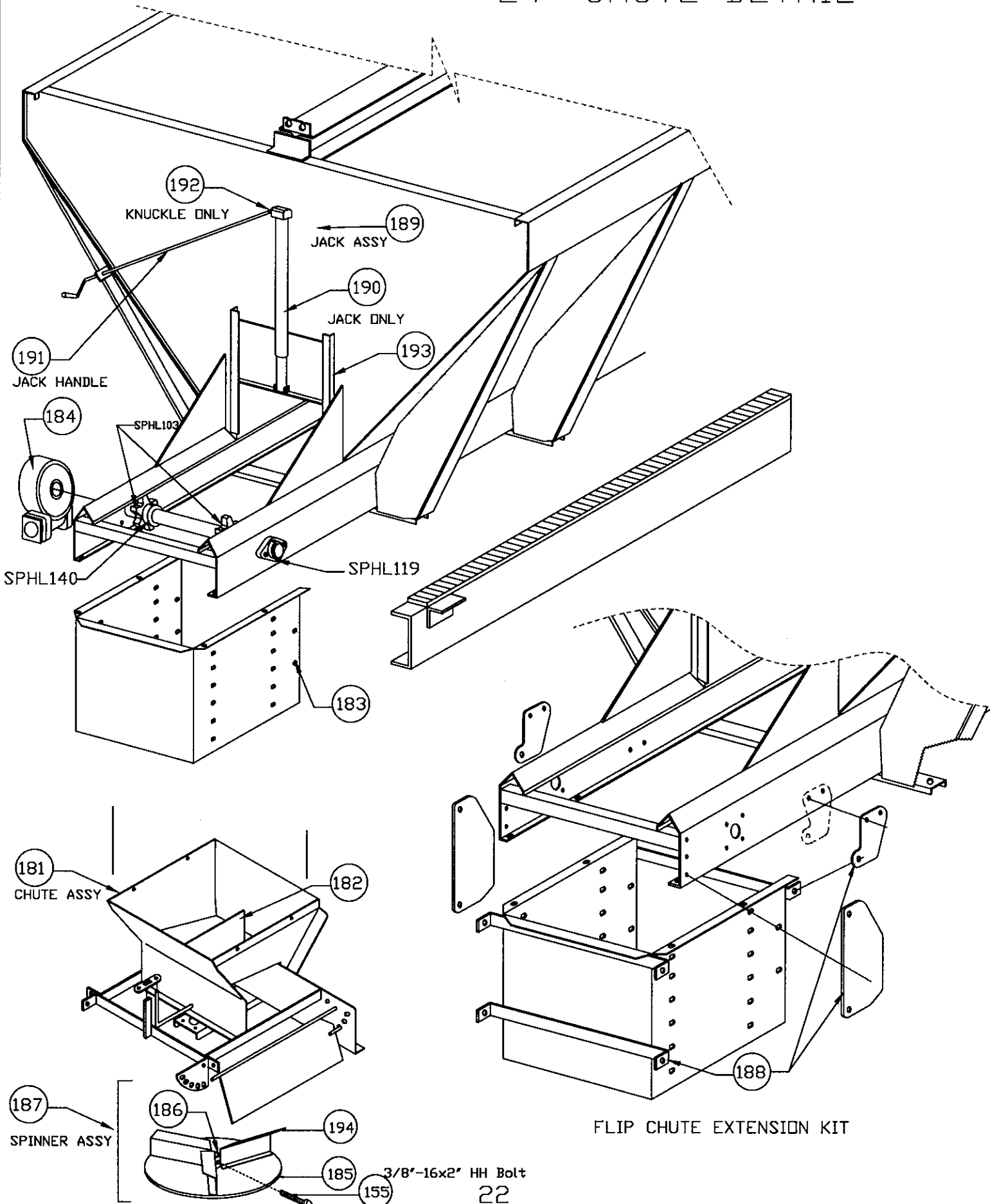
PARTS BREAKDOWN



24" CHUTE ASSY		
181	SMSL100	Chute assy, painted steel, (Weldment) includes side baffles, (24" cnvyr)
181	SMSL100S	Chute assy, stainless steel, (Weldment) includes side baffles, (24" cnvyr)
182	SMSL101	Baffle Weldment, painted
182	SMSL101S	Baffle Weldment, stainless
183	SMSL102	Chute extension, painted steel, (24" cnvyr)
183	SMSL102S	Chute extension, stainless steel, (24" cnvyr)
184	SPHL106	Gearbox for 24" conveyors, 6:1 speed reducer, 2" dia output shaft, 2 bolt hydraulic motor adaptor
184	SPHL107	Gearbox for 24" conveyors, 50:1 speed reducer, 1.5" dia output shaft, 4 bolt hydraulic motor adaptor
186	SPSL103	Spinner hub, painted
187	SMSL103	Spinner disc sub assembly (disc w/ flites, hub & hardware), painted
187	SMSL103S	Spinner disc sub assembly (disc w/ flites, hub & hardware), stainless
187	SMSL104	18" nominal diameter spinner with (6) formed low trajectory clockwise rotation vanes. Molded within the base of the spinner is a machined steel mounting hub designed for mounting to a standard 1.00" dia. motor shaft using a 1/4" key
187	SMSL105	20" nominal diameter spinner with (6) formed low trajectory clockwise rotation vanes. Molded within the base of the spinner is a machined steel mounting hub designed for mounting to a standard 1.00" dia. motor shaft using a 1/4" key..
188	SMSL106	Swing-up FLIP CHUTE extension package (includes: danger decal, hinge rod, hairpin, keeper)
188	SMSL106S	Swing-up FLIP CHUTE extension package (includes: danger decal, hinge rod, hairpin, keeper), stainless
	SPSL102	Hydraulic Motor, for spinner on 24"&14" spreaders, & conveyor on 14" spreader (and 24" spreader with gearbox on passenger side (50:1 gearbox))..
189	SPHL122	Gate Jack assembly w/ 15" lift for 24" conveyor sander, including handle and knuckle linkage
190	SPHL123	Gate Jack w/ 15" lift for 24" conveyor sander -- jack only, handle not included
191	SPHL124	Handle for Gate Jack, 24" conveyor spreader
192	SPHL125	Plastic knuckle linking gate jack and handle
193	SMHL112	Gate Weldment, painted
193	SMHL112S	Gate Weldment Stainless
194	SPSL105	Spinner flite, painted
194	SPSL105S	Spinner flite, stainless
195	HWF185	Spinner Shear Pin Bolt 3/8"-16x2" HH
	SPSL101	Hairpin keeper
	SPSL101S	Hairpin keeper stainless
	HWF175	Bolt 3/8-16x3/4" HH
	HWF497	Washer 3/8" lock
	HWF168	Bolt 5/16" flange ..
	HWF149	Bolt 5/16-18x1" HH
	HWF147	Bolt 5/16-24x3/4" HH
	HWF486	Washer 5/16" lock..
	HWF116	Bolt 1/4-20x3/4" HH SS
	HWF495	Washer 3/8" flat
	HWF391	Nut 3/8-16 H
	SPSL106	Danger Decal
	SPSL107	Hinge rod, painted
	SPSL107S	Hinge rod stainless
	SPSL101	Hairpin keeper
	SPSL101S	Hairpin keeper stainless

DownEaster SALT SPREADER

24" CHUTE DETAIL



24" Sander parts

SMHL113	Cab shield weldment, painted
SMHL113S	Cab shield weldment, stainless steel
SPHL128	Bearing Drive Shaft 2"
SPHL129	Bracket, bearing, painted
SMHL114	Bracket, bearing, stainless
HWF410	Nut 3/4-10 lock (jam) H
HWF411	Nut 3/4-10 lock (jam) H SS
SPHL130	Tension Spring for adjusting conveyor belt
SPHL131	Threaded rod weldment, painted
SMHL115A	Weldment, curb side catwalk, 8', painted
SMHL115B	Weldment, curb side catwalk, 9', painted
SMHL116A	Weldment, road side catwalk, 8', painted
SMHL116B	Weldment, Road side catwalk, 9', painted
SMHL117A	Weldment, curb side catwalk, 10', painted
SMHL117B	Weldment, curb side catwalk, 11', painted
SMHL118A	Weldment, road side catwalk, 10', painted
SMHL118B	Weldment, road side catwalk, 11', painted
SMHL119A	Weldment, curb side catwalk, 12', painted
SMHL119B	Weldment, curb side catwalk, 13', painted
SMHL120A	Weldment, road side catwalk, 12', painted
SMHL120B	Weldment, road side catwalk, 13', painted
SMHL121AS	weldment, curb side catwalk (14 ft) stainless
SMHK121BS	weldment, curb side catwalk (15 ft) stainless
SMHL122AS	weldment, road side catwalk (14 ft) stainless
SMHL122BS	weldment, road side catwalk (15 ft) stainless
SMA511	Ladder, painted steel, hinged, with 10" offset from spreader
SMA511S	Ladder, stainless steel, hinged, with 10" offset from spreader
SMHL124	Mud flap mounting angle, curb side, painted
SMHL124S	Mud flap mounting angle, curb side, stainless
SMHL125	Mud flap mounting angle, road side, painted
SMHL125S	Mud flap mounting angle, road side, stainless
SPHL132	Mud flap
SMHL126	Mud flap mounting bar, painted
SMHL126S	Mud flap mounting bar, stainless
SMHL127	Bumper weldment, painted
SMHL127S	Bumper weldment, stainless
SMHL128	Inverted V weldment, 8', painted
SMHL128S	Inverted V weldment, 8', stainless
SMHL129	Inverted V weldment, 9', painted
SMHL129S	Inverted V weldment, 9', stainless
SMHL130	Inverted V weldment, 10', painted
SMHL130S	Inverted V weldment, 10', stainless
SMHL131	Inverted V weldment, 11', painted
SMHL131S	Inverted V weldment, 11', stainless
SMHL132	Inverted V weldment, 12', painted
SMHL132S	Inverted V weldment, 12', stainless
SMHL133	Inverted V weldment, 13', painted
SMHL133S	Inverted V weldment, 13', stainless
SMHL134	Inverted V weldment, 14', painted
SMHL134S	Inverted V weldment, 14', stainless
SMHL135	Inverted V weldment, 15', painted
SMHL135S	Inverted V weldment, 15', stainless
SMHL136	Cross channel, painted
SMHL136S	Cross channel, stainless
SMHL137	Screen: 41 1/4"x45 1/4" (4')
SMHL138	Screen: 41 1/4"x33 1/4" (3')
SMHL139	Mounting angle
SPHL133	Mounting pin
SMHL140	Weldment; idler shaft
SMHL141	slope front for doghouse
SPHL134	one gallon chain oiler
SMA507	fenders (pair), one axle
SMA507S	fenders (pair), one axle stainless
SMA508	fenders (pair), two axle
SMA508S	fenders (pair), two axle stainless
SPHL135	Tie down kit for 24" spreader
SPHL136	Solenoid, clutch, on engine drive system for 24" conveyor
SPHL137	Solenoid diverter valve for self-contained gas powered drive system for 24" conveyor spreaders (stops flow of hydraulic oil when activated) consisting of 1 ea: valve block, relief valve, 3 way valve (normally open), 12VDC valve coil

24" Sander parts (contd)

SPHL101	Idler Sprocket-24" conveyor
SMHL101	Idle Shaft
HWF321	Bolt, carriage 1/2"x1 1/2"
HWF322	Bolt, carriage 1/2"x1 1/2" stainless
SPHL102	Hopper bearing, Idler 24, 1-1/4" bore 2 bolt flange
HWF438	Screw 1/4"-20x1/4" cup point socket set screw..
SMHL102	Floor plate, 8' V-box, abrasion resistant
SMHL103	Floor plate, 9' V-box, abrasion resistant, painted steel
SMHL104	Floor plate, 10' V-box, abrasion resistant, painted steel
SMHL105	Floor plate, 11' V-box, abrasion resistant, painted steel
SMHL106	Floor plate, 12' V-box, abrasion resistant, painted steel
SMHL107	Floor plate, 13' V-box, abrasion resistant, painted steel
SMHL108	Floor plate, 14' V-box, abrasion resistant, painted steel
SMHL109	Floor plate, 15' V-box, abrasion resistant, painted steel
SMHL110	Floor plate, 16' V-box, abrasion resistant, painted steel
HWF180	Bolt 3/8-16x1 1/4" HH
SMHL111	Nose piece, painted
SMHL111S	Nose piece, stainless
HWF358	Key 3/8"x3/8"x2"
SPHL103	Drive Sprocket 24" conveyor
SPHL104	Hydraulic Motor, for conveyor on 24" spreaders with 6:1 gearbox (mounted on driver's side)
HWF359	Key, woodruff 1/4"x1"
HWF450	Screw, set 3/8x3/8..
SPHL106	Gearbox for 24" conveyors, 6:1 speed reducer, 2" dia output shaft, 2 bolt hydraulic motor adaptor
SPHL107	Gearbox for 24" conveyors, 50:1 speed reducer, 1.5" dia output shaft, 4 bolt hydraulic motor adaptor
HWF364	Master Link M667X Pintle Chain
HWF349	Key cotter
HWF418	Pin, 7/16" for 667 Chain Link
SPHL108	Single Conveyor Chain Bar Weldment, w/Links, Pins & Cotters.
SPHL109	Drag chain bar w/ links
SPHL110	Conveyor Chain- 8' V-Box, 98 links, 49 bars
SPHL111	Conveyor chain 9', V-box, 108 links, 54 bars
SPHL112	Conveyor chain, 24" conveyor, for 10' V-box hopper,
SPHL113	Conveyor Chain 11', V-box, 130 links, 65 bars
SPHL114	Conveyor Chain 12', V-box, 140 links, 70 bars
SPHL115	Conveyor Chain 13', V-box, 150 links, 75 bars
SPHL116	Conveyor Chain 14', V-box, 160 links, 80 bars
SPHL117	Conveyor Chain 15', V-box, 170 links, 85 bars
SPHL118	Conveyor Chain 16', V-box, 180 links, 90 bars
SPHL119	Drive Bearing SPECIFY (2" for 6-1 Gearbox, separate driveshaft) or (1-1/2" for 50-1 gearbox)
SPHL140	2" Driveshaft (24"SPR)
SPHL120	Wiper back-up bar, painted
SPHL120S	Wiper back-up bar, stainless
SPHL121	Chain Wiper
HWF421	Pin, clevis 3/8"x2-1/2" ..
SPHL126	"Downeaster" Decal Package
SPHL127	Safety Decals

Hopper Parts, Screens

SMH504	Key-hole screen hinge, pair, painted steel
SMH504S	Key-hole screen hinge, pair, stainless steel
SMH505	Light mounts, pair, painted steel
SMH505S	Light mounts, pair, stainless steel
SMH506	6" painted hopper extension, 50.5x96", converts 1.9 yd to 2.5
SMH506S	6" stainless hopper extension, 50.5x96", converts 1.9 yd to 2.5
SMH508A	Inverted V, for 8' hopper spreader, painted steel (V is 6')
SMH508B	Inverted V, for 9' hopper spreader, painted steel (V is 7')
SMH508C	Inverted V, for 10' hopper spreader, painted steel (V is 8')
SMH508D	Inverted V, for 10' hopper spreader, painted steel (V is 8')
SMH508E	Inverted V, for 84" hopper spreader, painted steel (V is 60")
SMH508F	Inverted V, for 78" hopper spreader, painted steel (V is 54")
SMH508AS	Inverted V, for 8' hopper spreader, stainless steel (V is 6')
SMH508BS	Inverted V, for 9' hopper spreader, stainless steel (V is 7')
SMH508CS	Inverted V, for 10' hopper spreader, stainless steel (V is 8')
SMH508DS	Inverted V, for 92" hopper spreader, stainless steel (V is 68")
SMH508ES	Inverted V, for 84" hopper spreader, stainless steel (V is 60")
SMH508FS	Inverted V, for 78" hopper spreader, stainless steel (V is 54")
SPH109A	Top-screen, 2 piece, for 50.5x96 flat-top spreader, eg Dx-1908, (pcs are 47x 45.5)
SPH109B	Top-screen, 2 piece, for 50.5x92 flat-top spreader, Dx-1508e, (pcs are 47x 43.5)
SPH109C	Top-screen, 2 piece, for 64.5x92 flat-top spreader, Dx-2508e, (pcs are 61x 43.5)
SPH109D	Top-screen, 2 piece, for 42.5x92 flat-top spreader, Dx-1008e, (pcs are 39x 43.5)
SPH109E	Top-screen, 2 piece, for 50.5x84 flat-top spreader, Dx-1607, (pcs are 47x 39.5)
SPH109F	Top-screen, 2 piece, for 50x78 flat-top spreader, Dx-1206e, (pcs are 47x 36.5)
SPH109G	Top-screen, 2 piece, for 50.5x108 flat-top spreader, Dx-2109, (pcs are 47x 51.5)
SPH110A	Top-screen, 2 piece, for 71.5x96 pitched-top, eg Dx-3308 & Dx-4008
SPH110B	Top-screen, 2 piece, for 59.5x108 pitched-top, Dx-3309
SPH110C	Top-screen, 2 piece, for 71.5x108 pitched-top, eg Dx-3709 & Dx-4509
SPH110D	Top-screen, 2 piece, for 59.5x120 pitched-top, Dx-3310
SPH110E	Top-screen, 2 piece, for 71.5x120 pitched-top, eg Dx-4010, Dx-5010, Dx-6010
SPH111A	Top-screen, 1 piece, for 42.5x43.5 flat-top, Dx-0604e
SPH111B	Top-screen, 1 piece, for 42.5x24 flat-top, Dx-0302e
SPH111C	Top-screen, 1 piece, for 34.5x43.5 flat-top, Dx-0304e
SPH111D	Top-screen, 1 piece, for 50.5x96 flat-top, old style, eg Dx-1908
SMH512	Screen clamp, each

Electrical Parts & Wiring

SPE104	Fuse holder cover, rocker switch control box
SPE105	Fuse
SPN107	Solenoid for 14" gas spreader
SPE107A	Ignition swith, rocker style (for SPE108A)
SPE107B	Clutch engage switch, rocker style (for SPE108A)
SPE107C	Throttle control switch, rocker style (for SPE108A)
SPE108A	Control box assy, rocker switches
SPE109A	Cab wire harness, for rocker switch control box (SPE108A) 16'
SPE110	Cab wire harness estension, 10'
SPE111	Weather Pak plug, femaile, for cab harness
SPE112	Weather Pak plug, male, for hopper harness
SPE113	Weather Pak plug splice kit, 1 male plug, 1 female plug, each w/ 12" wire
SPE114A	8' hopper wire harness (length 12'), Briggs
SPE114B	9' hopper wire harness (length: 13'), Briggs
SPE114C	10' hopper wire harness (length: 14'), Briggs
SPE114E	9' hopper wire harness (length: 13'), Honda
SPE114F	10' hopper wire harness (length: 14'), Honda
SPN115A	Battery cable, negative (black), Briggs
SPN115B	Battery cable, negative (black), Honda
SPE116A	Absorbed Glass Mat Battery, new style, 7.5x5x7 (LxWxD), for spreaders w/ batt tray under engine
SPE116B	Absorbed Glass Mat battery, old style, 7x3x6.75 (LxWxD), for spreaders w/ 2 threaded rods
SPE117	Battery spacer, 3x3x.5", secures gel battery in place beneath motor mount
SPN118A	Battery cable, positive (red), Briggs
SPN118B	Battery cable, positive (red), Honda
SPN116	Starter cable, black
SME520	Battery tray for SPE116A, painted
SME520S	Battery tray for SPE116A, stainless
B & HO	SOLENOID STARTER 12V
B & HO	SOLENOID STARTER 12V K
B & HO	Control Box Switch Starter
SPN117A	Battery cable, positive (red), Briggs
SPN117B	Battery cable, positive (red), Honda
SPN126	Drainzit, oil plug with drain for pre-2004 Hondas (before SN 5405)
HWF352	Key 1/4x2" conveyor driveshaft or clutch

Accessories	
SPA100	Tie-down kit, up to 2.5 yds, includes 4 5000# straps w/ 5000# ratchets..
SPA101	Tie-down kit, DX-0302e, 2 ratchet straps and hitch mount
SPA102	Tie-down kit, 3-6 yds, includes 4 10,000# straps w/ 10,000# ratchets
SPA103	Mini strobe light
SPA104A	Tarp cover for 1.9 or 2.5 yd gas/hydraulic spreader, 51x96
SPA104B	Tarp cover for 1/3 yd, 4' hopper electric spreader (Dx-0304e), green, 36x44, with Logo
SPA104C	Tarp cover for Baby electric spreader, green, 42x24
SPA104D	Tarp cover for 2/3 yd, 4' hopper electric spreader (Dx-0604e), green, 43.75x44, with Logo
SPA104E	Tarp cover for 1 yard electric spreader, green, 43x96
SMA506A	Remote grease fitting kit, 9' grease tube, for hoppers up to 10'
SMA506B	Remote grease fitting kit, 14' grease tube, for hoppers up to 111-15'
SMA507	Fenders, pair, painted steel (single axle)
SMA507S	Fenders, pair, stainless steel (single axle)
SMA508	Fenders, pair, painted steel (tandem axle)
SMA508S	Fenders, pair, stainless steel (tandem axle)
SPA109	Mud-flap, pair
SMA510	Gate lock, ptd steel, up to 102", 2x3x3/16 tubing w/ 1" dia x 4" shaft on ends
SMA511	Ladder, painted steel, hinged, with 10" offset from spreader
SMA511S	Ladder, stainless steel, hinged, with 10" offset from spreader
SMA512A	Cab shield, painted steel, fits 50.5" wide hopper, (DP-1908 width end plate)
SMA512B	Cab shield, painted steel, fits 59.5" wide hopper, (DP-3009 width end plate)
SMA512C	Cab shield, painted steel, fits 71.5" wide hopper, (DP-3308 width end plate)
SMA513AS	Cab shield, stainless steel, fits 50.5" wide hopper, (DS-1908 width end plate)
SMA513BS	Cab shield, stainless steel, fits 59.5" wide hopper, (DS-3009 width end plate)
SMA513CS	Cab shield, stainless steel, fits 71.5" wide hopper, (DS-3308 width end plate)
SMA514A	Spill shields, pair (front&rear), painted steel, fits 50.5" wide hopper, (DP-1908 width end plate)
SMA514B	Spill shields, pair (front&rear), painted steel, fits 59.5" wide hopper, (DP-3009 width end plate)
SMA514C	Spill shields, pair, (front&rear), painted steel, fits 71.5" wide hopper, (DP-3308 width end plate)
SMA515AS	Spill shields, pair (front & rear), S/S, fits 50.5" wide hopper, (DS-1908 width end plate)..
SMA515BS	Spill shields, pair (front & rear), S/S, fits 59.5" wide hopper, (DS-3009 width end plate)..
SMA515CS	Spill shields, pair (front & rear), S/S, fits 71.5" wide hopper, (DS-3308 width end plate)..
SMA518	Adapter kit for tailgate spreader
CMFDP001	Paint, qt, dove gray - sold as 1 quart paint with separate hardener, mix as needed
CMFDP002	Paint, can, dove gray, spray can
CMFDP003	Paint, qt, hiway orange - sold as 1 quart paint with separate hardener, mix as needed
CMFDP004	Paint, can, hiway orange, spray can